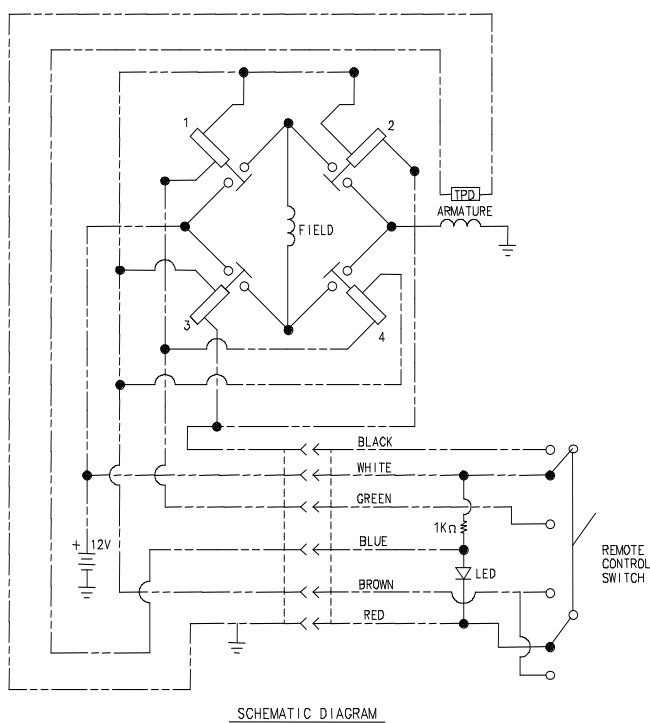


12V DC 9.5 Ti PLUG AND CONTROL PACK WIRING

This kit includes the following items (some components have been pre-assembled at the factory).

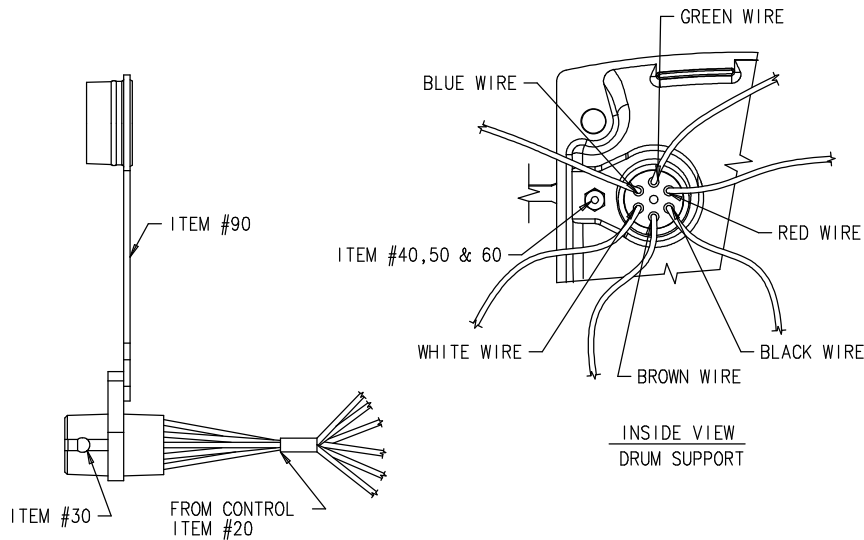
<u>QTY</u>	<u>ITEM #</u>	<u>PART NUMBER</u>	<u>DESCRIPTION</u>
1	20	63456	HARNESS WIRE, CONTROL
1	30	63539	SOCKET, SOLENOID, HSG
1	40	21027	SCREW, MACH. #10-24 x 3/4
1	50	2546	NUT, #10-24 MACHINE HEX
1	60	2182	WASHER, 5/16 LOCK
1	90	63540	CAP, SOCKET PROTECTOR
8	N/S	2099	NUT, HEX, 10-32 UNF 2B
1		64643	INSTR, WIRING, SOCKET ASSY 9.5 Ti

The six wire remote is designed to control both the voltage side of the current as well as the ground side. See fig. 1 for wiring schematic.



6 WIRE SCHEMATIC 12V DC (FIGURE 1)

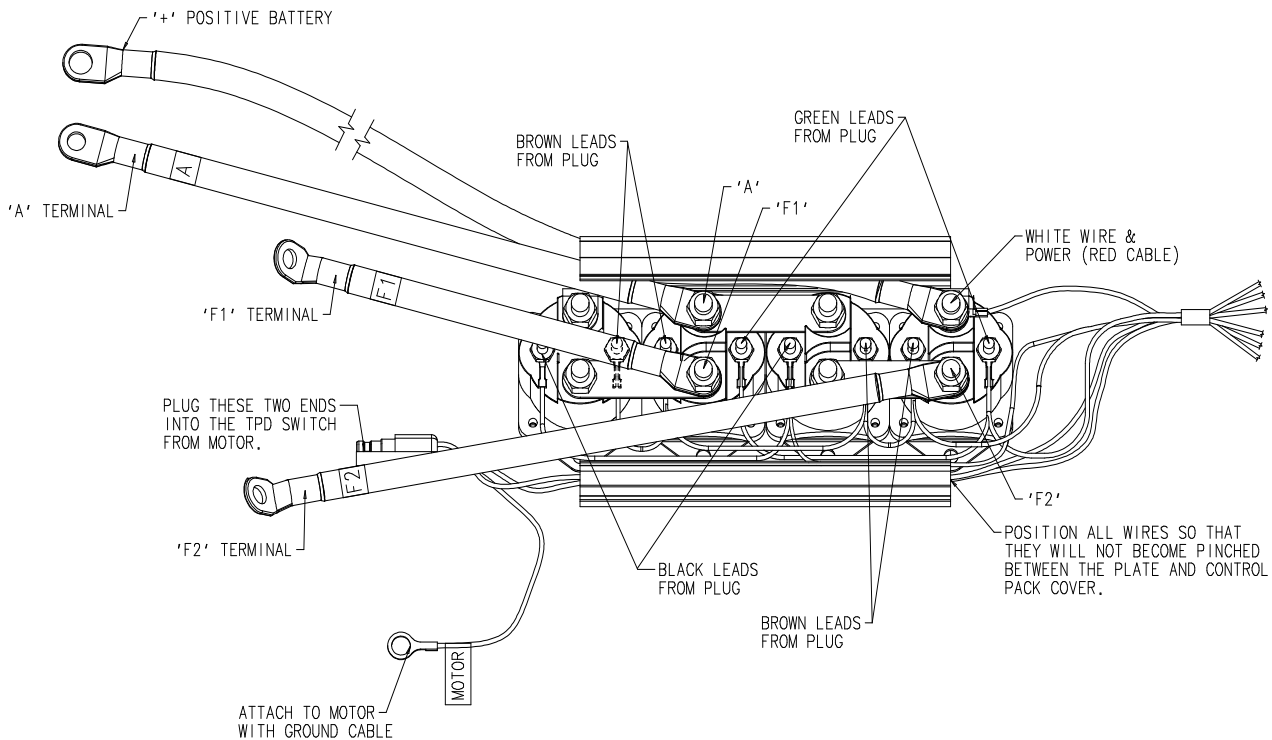
The remote plug wiring orientation for the control pack is as shown in (fig. 2).



REMOTE PLUG (FIGURE 2)

Insert wires through front of drum support before connecting to control pack. Secure plug assy. to drum support with items 40, 50 & 60.

Refer to (fig. 3) for the routing of wires in the 12V DC (9.5 Ti) inline control pack configuration. All wires should be connected to the solenoids before attaching the 3 bus bars and the 4 cables.



CONTROL ASSY (FIGURE 3)

If you have any questions concerning the wirings, please contact Warn Customer Service Dept.
1-800-543-9276.